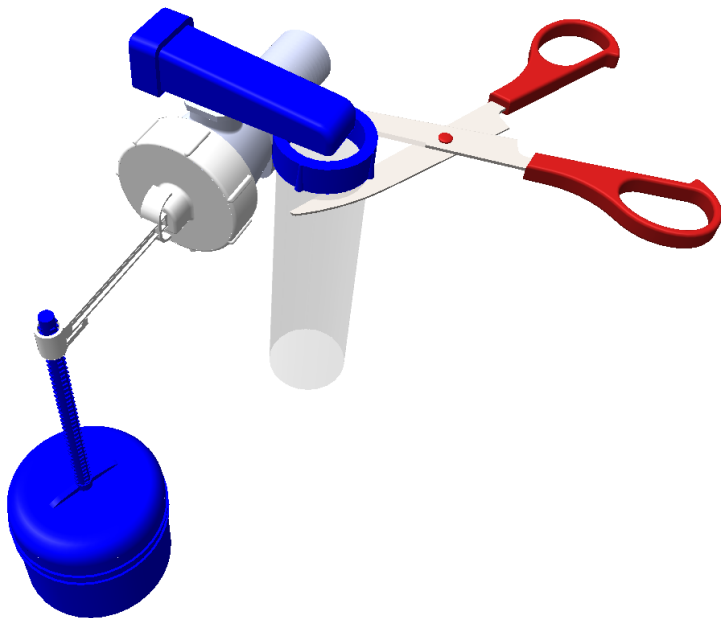
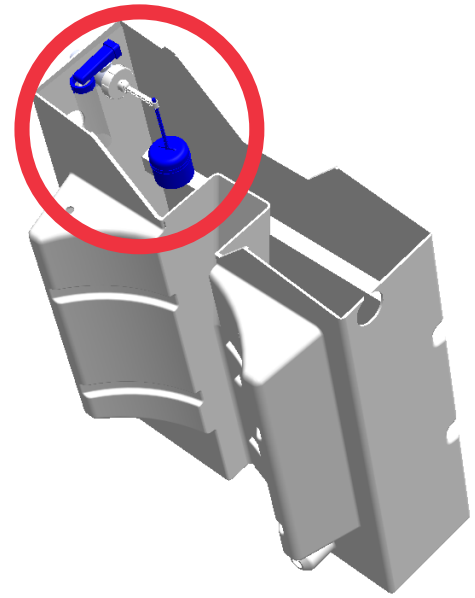
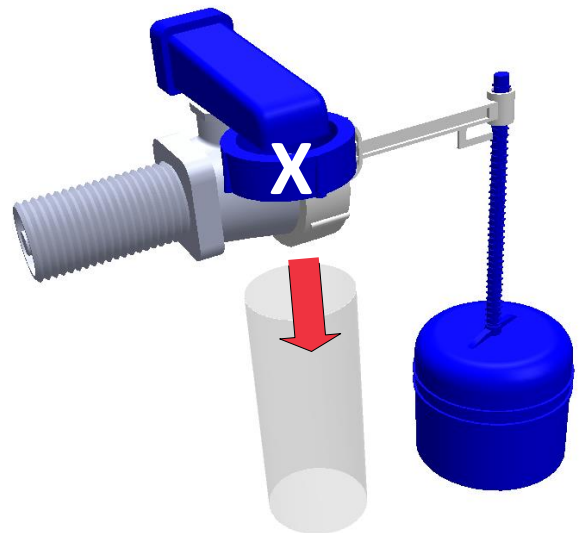


1. Locate the float valve on the Vortex, it can be found inside the water tank at the back of the machine. Depending upon the installation layout it may be on either side of the tank.



2a. Use scissors to remove the transparent plastic silencer tube from the valve, cut as high up as possible (just below the blue retaining ring) and take care not to drop it into the tank. Discard the silencer.

2b. Alternatively the silencer can be removed by holding the retaining ring (X) and pulling the tube free. Take care not to drop the tube and retaining ring into the tank. Discard the silencer.



3. Once the silencer tube has been removed check that the valve is functioning normally.